

Fact Sheet

GSE

BIZERBA

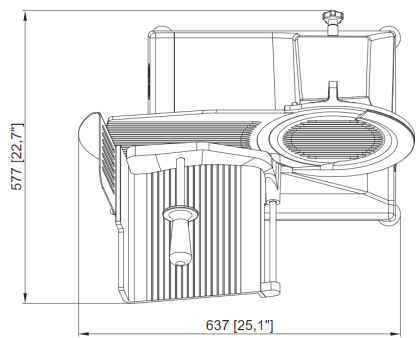
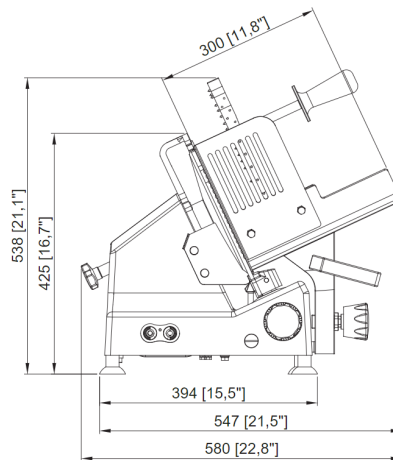
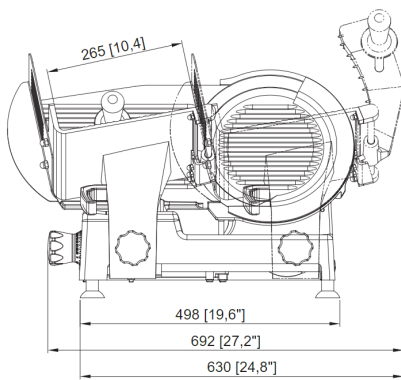
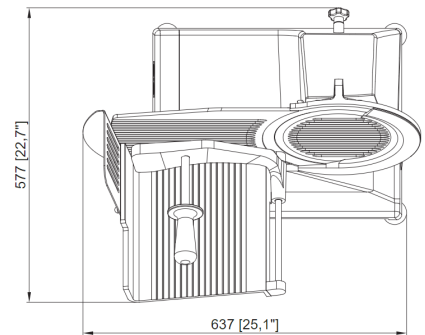
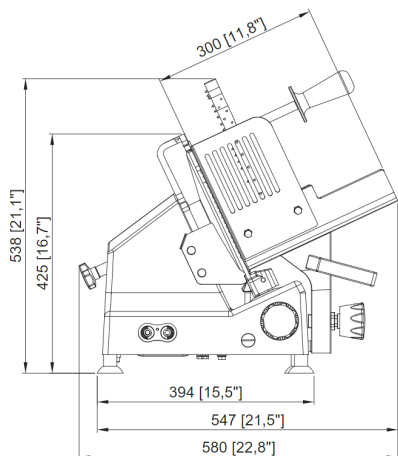
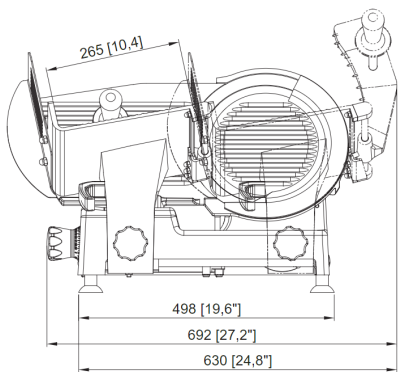
The easy-to-operate, ergonomic GSE is an ideal choice for sales or food service - such as in catering outlets, snack bars or fast food kitchens. This entry-level model has everything which Bizerba slicers stand for: Safety, hygiene, ergonomics and energy efficiency. Deliberately simple technology at an attractive price.



More information
High performance
with a wide range of
solutions and options.

Specifications	Facts	Details
Dimensions		
Outer dimensions (L x W x H)	637 x 557 x 538 mm / 27.2" x 21.9" x 21.2"	275
	637 x 557 x 536 mm / 26.8" x 21.9" x 21.2"	300
Installation surface (L x W)	498 x 394 mm / 19.6" x 15.5"	275
	498 x 394 mm / 19.6" x 15.5"	300
Work surface (L x W)	498 x 394 mm / 19.6" x 15.5"	275
	620 x 580 mm / 24.4" x 22.8"	300
Electrical data		
Power consumption	230 V; 50 Hz; 1.4 A / 110 V; 60 Hz; 4.0 A	275
	230 V; 50 Hz; 1.9 A / 110 V; 60 Hz; 4.5 A	300
IP rating	IP33	
Performance data		
Product size	Width: 265 mm / 10.4"	
	Height: 175 mm / 6.8"	275
	Diameter: 200 mm / 7.9"	
	Width: 265 mm / 10.2"	
	Height: 185 mm / 7.2"	300
	Diameter: 215 mm / 8.4"	
Blade diameter	275 mm / 10.8"	275
	300 mm / 11.8"	300
Blade speed	255 rpm	
Blade alignment	11° inclination	
Slice thickness	0 - 23 mm / 0 - 0.91"	
Carriage angle	11°	
Housing materials	Anodized aluminum	
	Plastics	
Weight		
Machine weight	29 kg / 64 lb	300
Packaging data		
Dimensions (L x W x H)	740 x 650 x 580 mm / 29.1" x 25.6" x 22.8"	300
Packaging weight	33 kg / 72.6 lb	300

Options**Facts****Details****Product fixation device****Exchangeable remnant holder plate****Blade removal tool**

Symbols**Dimensional drawings****GSE (275)****GSE (300)**

Bizerba SE & Co. KG
Wilhelm-Kraut-Straße 65
72336 BalingenT +49 7433 12-0
fax: +49 7433 12-2696
marketing@bizerba.com**www.bizerba.com**